

THE MARK THREE™

Utility-sized dump body for unsurpassed versatility.

Henderson



Available in 13" and 18" side heights (18" shown).

THE MARK THREE

when you need flexibility and want it to last.

The Henderson MARK THREE is living proof that you don't need to sacrifice rugged, heavy-duty service just because you don't need a behemoth dump truck. The MARK THREE is built in the tradition of our heavy-duty MARK ONE and MARK TWO dump bodies. It's designed for the customer who needs a utility-sized body.

It has the same rugged features as its bigger relatives. Features like: unibody design with a one-piece floor joined by a radius to the sides with a continuous weld, cross-memberless understructure to prevent washboarding; exclusive trunnion-mounted telescopic hoist for enormous lifting power, shorter cycle time and reduction of sway; double-walled tailgate and a 9" mounting height for a lower center of gravity and increased stability.

But that's not all. The MARK THREE is styled to look better longer through outward sloped rails that shed dirt and debris. All welds are continuous seams to add rigidity and to prevent water infiltration. And much more...review the features shown here and read the specs on page four. You'll soon see why everyone is calling Henderson...

The Dependable Ones

OPTIONAL contoured, tapered headsheet is aerodynamically shaped to complement the new cab designs and increase visibility. It features an integral cab shield.



OPTIONAL quick-release, fold-down sides add convenience. The sturdy hinge is positioned beneath the body, out of the way of falling debris. Sloped surfaces on the sides and floor help shed debris during dumping.

OPTIONAL For seasonal businesses (such as landscaping) in the snow belt, the Henderson Tailgate Spreader (TGS) extends the profit season. Readily mounts to the Mark III in no time at all. Available in mild steel or 304 Stainless Steel.



Headsheet has two built-in windows to provide a better view for backing up or checking on a load while protecting the cab window.



Cab shield is an integral part of the headsheet and has streamlined end plates to eliminate sharp edges.



The nitrided, trunnion-mounted telescopic hoist provides superior lift capacity and faster cycle time.



Quick-release handles on the sides give you instant side release from a single point-of-use. Latch is positive cam-action. **OPTIONAL** on tailgate.



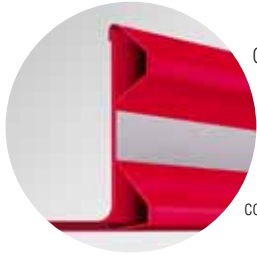
Includes electric gear pump with reservoir, hydraulic plumbing, electric push-button hoist control and mounting hardware.



Five-inch structural I-beam longitudinals provide support instead of the traditional cross-members known to cause washboarding problems. Smooth understructure eliminates areas for material hang-up and reduces corrosion trouble spots.



Henderson



One-piece, double-walled side panels with boxed top rail strengthen the body to prevent it from twisting. Panels stay better looking, longer. Rail edges have a soft contour to resist paint chipping.



Heavy-duty, off-set hinge plates integrated with flush-mount hardware provide a strong and streamlined tailgate pivot with easy-release pins.



Stop/turn/tail light mounted in each rear corner post with side clearance light and reflectors. Highly visible, yet recessed for protection.

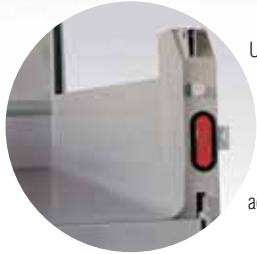
All top rails and rub rails slope outward to shed debris.



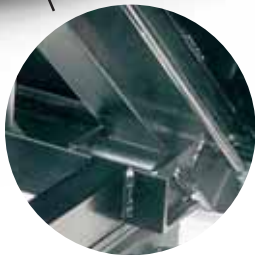
Double-walled, double-acting tailgate with full perimeter boxing. Flame-cut latches are mounted to reinforcing plates that overlap the rear corner posts and apron to prevent spreading of the sides.



Shock resistant stop/turn/tail lights and I.C.C. light cluster are provided with a one-piece sealed wiring harness.



Unibody design features a 3/16", one-piece, seamless floor with formed 2" floor-to-side radius. The low 9" mounting height increases stability and accessibility.



The rear hinge assembly is built tough to resist twisting. 1-1/4"-diameter pins connect through 4" hinge bushings.



Premium hoist control for electric/hydraulic power unit. Shock-resistant case affords long life.



Full-depth rear corner posts tied to 5" structural channel rear apron.

SPECIFICATIONS

MARK THREE DIMENSIONS AND CAPACITY CHART

Length	Width		Height			Capacity		Hoist			
	Inside	Outside	Sides	Tailgate	Head	Sides/Ends (Cubic Yards)	W/Sideboards (Cubic Yards)	Type Class	Class (NTEA)	NTEA Rated Capacity Tons @ Critical Angle	Capacity Tons @ Liftoff
8'	85"	95"	13"	19"	44"	2.3/3.3	5.3	M-80-3.5-3	20	12.7 @ 39.1°	19.4
8'	85"	95"	18"	24"	44"	3.2/4.2	5.9	M-80-3.5-3	20	12.7 @ 39.1°	19.4
9'	85"	95"	13"	19"	44"	2.5/3.7	6.0	M-80-3.5-3	20	9.5 @ 34.6°	19.1
9'	85"	95"	18"	24"	44"	3.5/4.7	6.5	M-80-3.5-3	20	9.5 @ 34.6°	19.1
10'	85"	95"	13"	19"	44"	2.8/4.2	6.6	M-80-3.5-3	20	7.3 @ 29.8°	18.9
10'	85"	95"	18"	24"	44"	3.9/5.3	7.2	M-80-3.5-3	20	7.3 @ 29.8°	18.9
11'	85"	95"	13"	19"	44"	3.1/4.6	7.3	M-90-3.5-3	20	5.5 @ 33.4°	18.6
11'	85"	95"	18"	24"	44"	4.3/5.8	7.9	M-90-3.5-3	20	5.5 @ 33.4°	18.6

UNIBODY DESIGN

One-piece floor with 2" formed radius to join sides. Full-depth rear corner posts tied to 5" structural channel rear apron. Smooth understructure has 5" structural steel I-beam longitudinals with no cross-members and a low 9" mounting height.

HOIST

Three-stage telescopic, trunnion-mounted hoist with nitrided cylinder tubes. Hydraulic plumbing and electric pushbutton hoist included. Two-year warranty.

MOUNTING

- Low 9" mounting height.
- Full sub-frame cradle and rear hinge assembly built in for quick installation.
- Includes premium in-cab control, electric gear pump/reservoir, and mounting hardware.

FLOOR

One-piece, 3/16" steel.

- 2" formed in floor-to-side radius.
- 5" x 10.0 lbs./ft. I-beam long sills with no cross-members.

SIDES

Double wall, 12-gauge steel with sloped, formed top rail.

HEADSHEET

12-gauge steel with integral cab shield and two pre-punched windows. (Varying cab shield heights available to optimize fit on different brands of chassis.)

TAILGATE

One-piece, 12-gauge steel.

- Double wall sheet with full perimeter boxing and sloped top rail.
- Flush-mount, off-set tailgate hinge plates with easy-release pins.
- 1" top and 1-1/4" bottom latch pins.
- Manual over-center tailgate release mechanism with rubber covered handle.

LIGHT PACKAGE

- Stop/turn/tail lights are mounted in rear corner posts.
- I.C.C. and rear clearance lights with reflectors are also included.
- All lights are rubber mounted, shock resistant and feature one-piece sealed wiring harness.

BODY PREPARATION

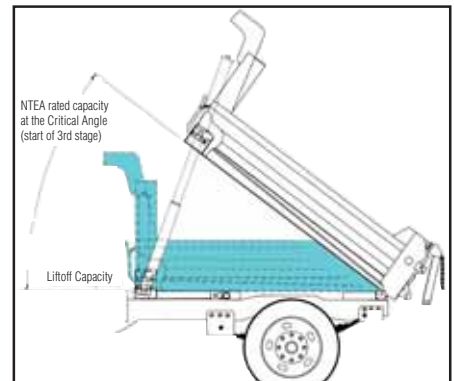
- Entire body is chemically cleaned with a phosphate solution before being primed.
- Primed with high-quality primer.

OPTIONS

- Aerodynamically contoured, tapered headsheet has integral cab shield.
- Headsheet without integral cab shield.
- 304 Stainless steel body construction.
- One-piece, 12-gauge sloping side boards.
- Quick-release, fold-down sides feature sloped surface to shed debris.
- Quick-release, drop-down tailgate.
- Coal chute.
- Direct mount PTO pump.
- L.E.D. light kit.
- 1st Stage Power Down Cylinder.



When capacity counts, add on these **OPTIONAL** sloped, steel side boards to accommodate a larger load volume. These tough side boards are constructed of one-piece, 12-gauge steel to take a beating. Yet they are surprisingly lightweight and easy to install, sliding quickly into place in standard built-in pockets.



Illustrated above are the NTEA Capacity and LIFTOFF Capacity points of measure for the hoist data shown in the chart below.



P.O. Box 40 • Manchester, Iowa 52057
800-359-4970 • www.henderson-mfg.com